



HIGH TENACITY POLYESTER SILOS

Polyester silos
for the storage
of powdery and
granular materials

Affordable and quality solution
for indoor storage of powdery or
granular raw materials

Advantages:

Storage of materials with bulk density
up to 1.2 kg/dm³

Extremely long lasting

Completely non-toxic, hygienic, with high
degree of preservation of raw material, in
compliance with food hygiene standards

Breathable filtering fabric with no need
of additional filters and no formation of
condensation

Possibility to customize the size according to
available space

Easy and economical transportation

Antistatic fabric according to IEC Guide

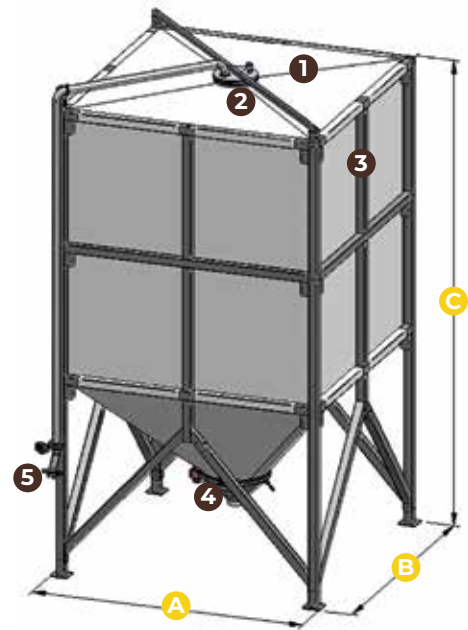
ATEX Directive compliant



TECHNICAL DATA

- 1 Silo body in polyester fabric
- 2 Piping and instrumentation support
- 3 Supporting frame
- 4 Extraction system
- 5 Loading pipe

Standard Model*	A	B	C	Capacity [m ³]	Capacity** [t]
mod. 20	1200	1200	3008	3	2
mod. 30	1500	1500	3308	5	3
mod. 40	2000	2000	3000	7	4,2
mod. 60	2020	2020	3808	10	6
mod. 80	2040	2040	4308	13	7,8
mod. 100	2500	2500	4310	16	9,6
mod. 120	2760	2760	4410	19	11,4
mod. 130	2780	2780	4910	22	13,2
mod. 150	2780	2780	5210	24	14,4
mod. 200	3140	3140	5810	35	21
mod. 250	3140	3140	6310	40	24
mod. 300	3140	3140	7110	48	28,8
mod. 400	3840	3840	7110	65	39



* In addition to the above dimensions, on request we produce shapes and sizes other than those indicated

** Bulk density of 0,6 kg/dm³

Accessories



Fluidized vibrating extractor



Radial scraper extractor with multiple outputs



Loading and venting piping



Silo weighing system



TECHNOSILOS S.r.l.
Via Piana 67, 47032 Bertinoro (FC), ITALY
www.technosilos.com

